



Easy Conversion Chart: BE1-IPS100 to BE1-11i

This simple chart is designed to help you choose the appropriate BE1-11 style configuration with the same minimum coverage as your BE1-IPS100. Just match up the color-coded options on the left (BE1-IPS100) with those on the right (BE1-11i). Options colored black require no selection. For reference, see the product spec style charts on Page 2.

For assistance, contact technical support at 618-654-2341.

Enter your BE1-IPS100 style configuration below to generate new BE1-11 style configuration

From			BE1-IPS100 Style Configuration							To			BE1-11 Style Configuration												
BE1-IPS100	Option 1																				Firmware				
	Communication Protocol																					Option 2			
	Case & Alarm Output																					Option 3			
	Power Supply																					Network Connections			
	Cover																					Option 1			
	Voltage Sensing																						Inputs/Outputs		
	Current Sensing																						Case		
			A ¹	B	D ¹	E	F																Ethernet Protocol		
								4 ²	A ³	B ³	N ³	1	2	3										RS-485 Port Protocol	
																								Power Supply	
																							Ground Current		
																							Phase Current		
																							Application		

To

BE1-11

BE1-IPS100	4						
-------------------	----------	--	--	--	--	--	--

BE1-11	I							N	0	E	0	00
---------------	----------	--	--	--	--	--	--	----------	----------	----------	----------	-----------

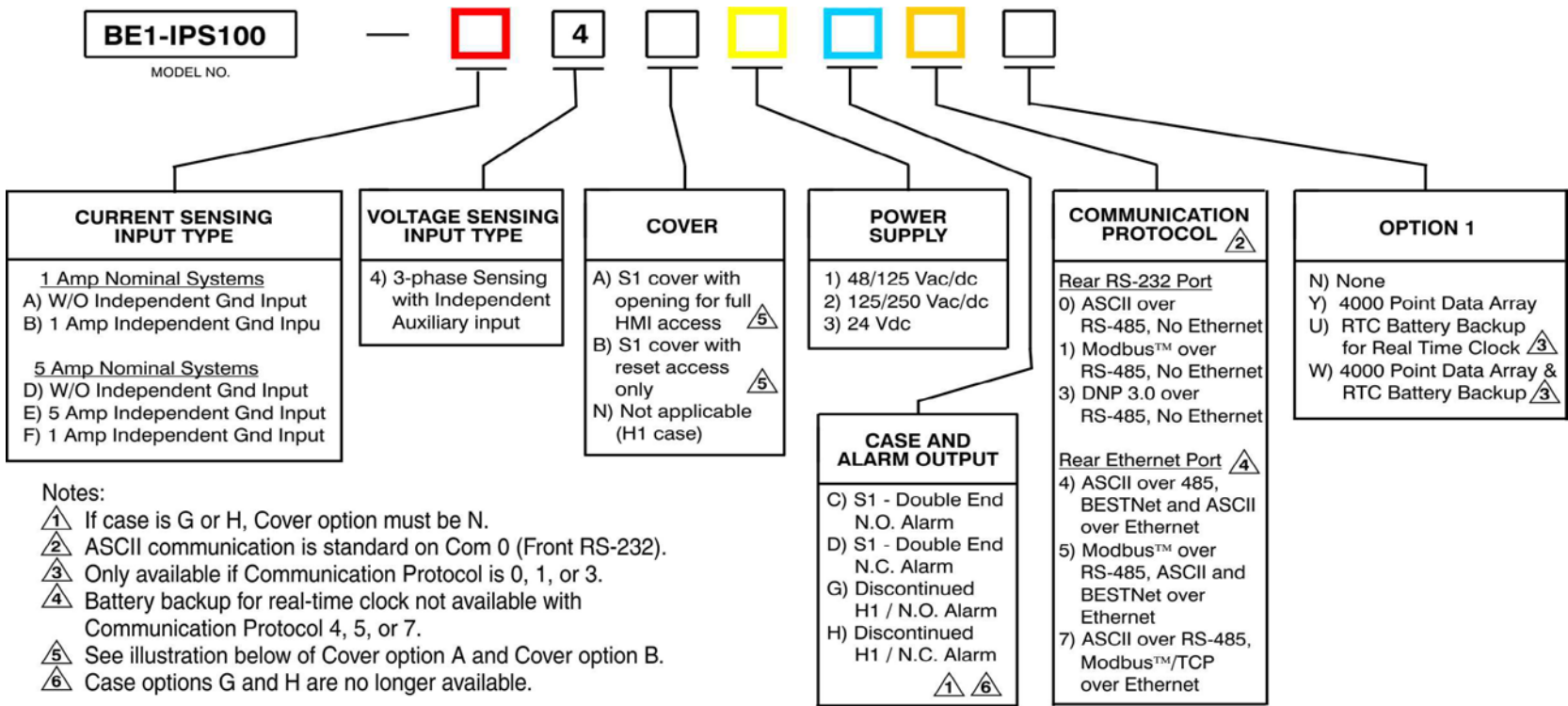
Enter your current BE1-IPS100 configuration below

- 1 BE1-11 always comes with neutral CT. Any BE1-11 Ground Current selection is valid for this BE1-IPS100 option.
- 2 BE1-11 comes standard with 3-phase and Aux Voltage. No selection necessary.
- 3 BE1-11 does not use front covers for any case styles. No selection necessary.
- 4 BE1-11 incorporates each of these options in the standard relay. No selection necessary.
- 5 BE1-11 is available in a rack mount (H), panel mount (P) or S1-sized vertical mount (J) option.

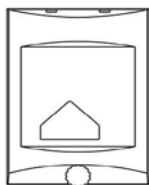
DISCLAIMER: Some options for the BE1-11i have been preselected in the above guide. To insure accuracy, please verify your style configuration using the BE1-11 style chart on page 2.

Sample Style Configuration Conversion

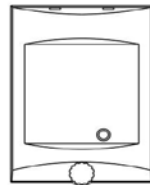
	BE1-IPS100		BE1-11i	
5 amp Phase with 5 amp Ground	E	→	5	5 amp Phase
3-phase Sensing w/ Auxiliary Input	4	→	A	5 amp Ground
No Cover	N	→	2	125/250 PS
125/250 PS	2	→	M	Modbus over 485
H case with N.O. Alarm	G	→	0	No Ethernet
Modbus over 485	1	→	H	H Case
None	N	→	1	Standard I/O, N.O. Alarm
			N	None
			0	Copper Ethernet
			E	Option 3, None
			0	Option 2, None
			00	Latest Firmware



- Notes:
- ^{⚠1} If case is G or H, Cover option must be N.
 - ^{⚠2} ASCII communication is standard on Com 0 (Front RS-232).
 - ^{⚠3} Only available if Communication Protocol is 0, 1, or 3.
 - ^{⚠4} Battery backup for real-time clock not available with Communication Protocol 4, 5, or 7.
 - ^{⚠5} See illustration below of Cover option A and Cover option B.
 - ^{⚠6} Case options G and H are no longer available.



Cover Option A



Cover Option B

